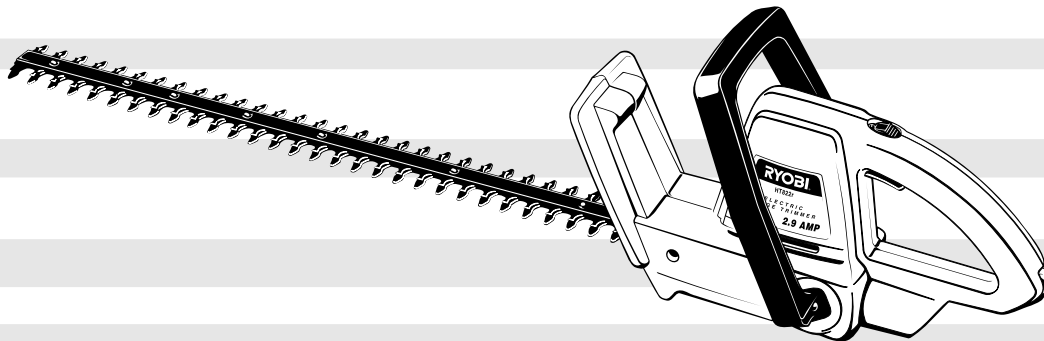
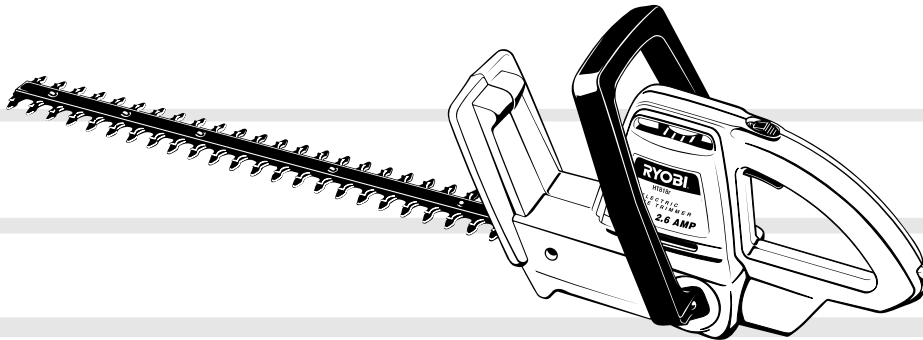
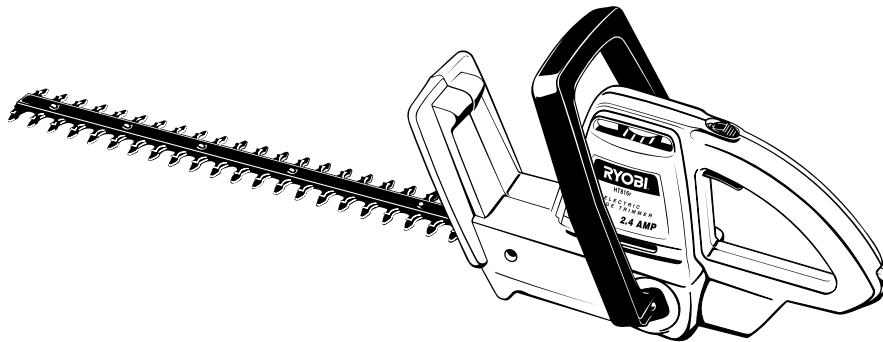


RYOBI®

HT816r/HT818r/HT822r
Electric Hedge Trimmer

OPERATOR'S MANUAL



FOR QUESTIONS, CALL 1-800-345-8746 in U.S. or
1-800-265-6778 in CANADA
www.ryobi.com

IMPORTANT MANUAL

DO NOT THROW AWAY

INTRODUCTION

THANK YOU

Thank you for buying this quality product. This modern outdoor power tool will provide many hours of useful service. You will find it to be a great labor-saving device. This operator's manual provides you with easy-to-understand operating instructions. Read the whole manual and follow all the instructions to keep your new outdoor power tool in top operating condition.

PRODUCT REFERENCES, ILLUSTRATIONS AND SPECIFICATIONS

All information, illustrations and specifications in this manual are based on the latest product information available at the time of printing. We reserve the right to make changes at any time without notice.

Copyright© 1999 Ryobi Outdoor Products, Inc.
All Rights Reserved.

SERVICE INFORMATION

Service on this unit both within and after the warranty period should be performed only by an authorized and approved service dealer.

Dial:

- **1-800-345-8746** or **www.ryobi.com** on the world wide web for authorized service dealers in the United States

Or

- **1-800-265-6778** in Canada to obtain the listing of the authorized service dealer nearest you.

to obtain the listing of the authorized service dealer nearest you.

DO NOT RETURN THE UNIT TO THE RETAILER.

NOTE: PROOF OF PURCHASE WILL BE REQUIRED FOR WARRANTY SERVICE.

Make sure this manual is carefully read and understood before starting or operating this equipment.

THIS PRODUCT IS COVERED BY ONE OR MORE US PATENTS, OTHER PATENTS PENDING.

TABLE OF CONTENTS

| | |
|--|------|
| I. Rules for Safe Operation | 3-6 |
| A. Important Safety Information | 3-4 |
| B. Safety and International Symbols | 5 |
| C. Know Your Unit | 6 |
| II. Assembly Instructions | 6 |
| A. Installing Front Handle | 6 |
| III. Operating Instructions | 7-8 |
| A. To Turn Your Hedge Trimmer On | 7 |
| B. Extension Cord Retainer | 7 |
| C. Using the Hedge Trimmer | 8 |
| D. To Trim a Hedge | 8 |
| IV. Maintenance and Repair Instructions | 9-12 |
| A. General Recommendations | 9 |
| B. Before Each Use Check for Damaged/Worn Parts | 9 |
| C. After Each Use Clean Unit and Labels | 9 |
| D. Sharpening the Cutting Blade | 9 |
| E. Blade Lubrication | 9 |
| F. Blade Replacement | 10 |
| G. Servicing Double Insulated Units | 12 |
| H. Cleaning the Unit | 12 |
| I. Inspect Extension Cords | 12 |
| J. Storage | 12 |
| V. Specifications | 12 |
| VI. Replacement Parts | 13 |
| VII. Warranty | 14 |

CONTENTS OF CARTON

- Hedge Trimmer, Either Model HT816r, HT818r or HT822r
- Front Handle with Hardware
- Operator's Manual
- Owner's Registration Card

Examine all parts to make certain that nothing is missing and no breakage has occurred during shipping. Damaged or missing parts must be replaced before using this unit.



WARNING: The operation of any hedge trimmer can result in foreign objects being thrown in the eyes. This can lead to severe eye damage. Before commencing power tool operation, always wear safety glasses or goggles that are marked as meeting ANSI Z87.1 standards, and a full face shield when needed.

RULES FOR SAFE OPERATION

The purpose of safety symbols is to attract your attention to possible dangers. The safety symbols, and their explanations, deserve your careful attention and understanding. The safety warnings do not by themselves eliminate any danger. The instructions or warnings they give are not substitutes for proper accident prevention measures.

SYMBOL MEANING



SAFETY ALERT SYMBOL:

Indicates danger, warning, or caution. Attention is required in order to avoid serious personal injury. May be used in conjunction with other symbols or pictographs.

NOTE: Advises you of information or instructions vital to the operation or maintenance of the equipment.



DANGER:

Failure to obey a safety warning will result in serious injury to yourself or to others. Always follow the safety precautions to reduce the risk of fire, electric shock, and personal injury.



WARNING:

Failure to obey a safety warning can result in injury to yourself and others. Always follow the safety precautions to reduce the risk of fire, electric shock, and personal injury.



CAUTION:

Failure to obey a safety warning may result in property damage or personal injury to yourself or to others. Always follow the safety precautions to reduce the risk of fire, electric shock, and personal injury.

• IMPORTANT SAFETY INSTRUCTIONS •



WARNING:

When using this electric Hedge Trimmer, basic safety precautions should always be followed to reduce the risk of fire, electric shock, and personal injury. Carefully read and understand the entire Operator's Manual before using your Hedge Trimmer. Pay close attention to the Operating Instructions and Safety Warnings.

READ ALL INSTRUCTIONS

WARNING:

To reduce the risk of fire, electric shock, or injury:

- Do not leave the Hedge Trimmer plugged in. Unplug from outlet when not in use, changing attachments, blades, or before servicing.
- Avoid dangerous environments. Never operate your unit in damp or wet conditions. Moisture is a shock hazard.
- Do not use the unit in the rain.
- Do not handle the unit with wet hands.
- Use the right tool. Use this unit only as described in this manual. Do not use for any job except that for which it is intended. Use only the manufacturer's recommended attachments.
- Clear the area to be cut before each use. Remove all objects such as cords, lights, wire, or string which can become entangled in the cutting blade.

- Do not abuse the power cord. Do not pull or carry the unit by the cord, use cord as a handle, close a door on cord, or pull the cord around sharp edges or corners. Keep the cord away from heated surfaces, oil and sharp edges.
- Turn off all controls before unplugging.
- Do not unplug by pulling on the cord. To unplug, grasp the plug, not the cord.
- Keep hair, loose clothing, fingers, and all parts of body away from openings and moving parts.
- Do not allow to be used as a toy. Close attention is necessary when used by or near children.
- Inspect all extension cords and the unit power connection periodically. Look closely for deterioration, cuts or cracks in the insulation. Also inspect the connections for damage. Replace the cords if any defects or damage appear.
- Risk of cut. Keep hands away from blades. Keep both hands on handles when power is on.
- Do not attempt to remove cut material or hold material to be cut when blades are moving. Make sure unit is unplugged and the switch is off when clearing jammed material from blades. Do not grasp the exposed cutting blades or cutting edges when picking up or holding the unit. CAUTION - blades coast after unit is turned off.
- To reduce the risk of electrical shock, use only with an extension cord intended for outdoor use, such as SW-A, SOW-A, STW-A, STOW-A, SJW-A, SJOW-A, SJTW-A or SJTOW-A.

RULES FOR SAFE OPERATION

- To reduce the risk of electrical shock, this unit has a polarized plug (one blade is wider than the other) and will require the use of a polarized extension cord. This unit plug will fit into a polarized extension cord only one way. If the plug does not fit fully into the extension cord, reverse the plug. If the plug still does not fit, obtain a correct polarized extension cord. A polarized extension cord will require the use of a polarized wall outlet. This plug will fit into a polarized wall outlet only one way. If the plug does not fit fully into the wall outlet, reverse the plug. If the plug still does not fit, contact a qualified electrician to install the proper wall outlet. Do not change the unit plug, extension cord receptacle, or extension cord plug in any way.
- Ground Fault Circuit Interrupter (GFCI) protection should be provided on the circuit(s) or outlet(s) to be used for this unit. Receptacles are available having built-in GFCI protection and may be used for this measure of safety.
- **EXTENSION CORDS:** Make sure your extension cord is in good condition. When using an extension cord, be sure to use a cord that is heavy enough to carry the current that your unit will draw. An undersized extension cord will cause a drop in line voltage resulting in loss of power and overheating. The table shows the correct size to use depending on the cord length and nameplate amperage rating. If in doubt, use the next heavier size line gauge. The smaller the gauge number, the heavier the cord. To reduce the possibility of disconnection of the unit from the extension cord during operation, see Fig. 5, page 7.
- A nameplate on your unit indicates what voltage it uses. Never connect the unit to an AC voltage that differs from this voltage.

| MINIMUM WIRE SIZE FOR EXTENSION CORDS FOR 120 VOLT APPLIANCES | | | | |
|---|-----------------|----|-----------------|-----|
| Cord length (ft) | 25 | 50 | 100 | 150 |
| Amperage Rating | Wire size (AWG) | | | |
| 1 to 10 amps | 18 | 16 | 14 | 12 |
| 10 to 12 amps | 16 | 16 | 14 | 12 |
| 12 to 16 amps | 14 | 12 | NOT RECOMMENDED | |

BEFORE OPERATING

- Read the instructions carefully. Be familiar with the controls and proper use of the unit.
- Children and teens under the age of 15 must not use the unit, except for teens guided by an adult.
- Before each use, thoroughly inspect your unit for loose or damaged parts. Do not use until adjustments or repairs are made.
- All guards and safety attachments must be installed properly before operating the unit.
- Use the unit only in daylight or good artificial light.
- Keep all bystanders, especially children and pets, at least 50 feet (15 m) away from the unit while operating.

FOR SAFE OPERATION

- Avoid unintentional starting. Do not carry plugged-in unit with your finger on the switch. Be sure switch is off when plugging in.
- Always remain alert. Use common sense. To prevent injury to yourself and others, do not operate this unit if you are fatigued.
- Do not operate the unit while under the influence of drugs, alcohol or medication.
- Wear safety glasses or goggles that are marked as meeting ANSI Z87.1 standards, and ear/hearing protection when operating this unit. Wear a face or dust mask if the operation is dusty.
- Do not overreach or use the unit from unstable surfaces such as ladders, trees, steep slopes, rooftops, etc. Keep proper footing and balance at all times.
- Wear heavy, long pants, boots, gloves and a long sleeve shirt. Do not wear loose clothing, jewelry, short pants, sandals or go barefoot. Secure hair above shoulder level.
- Always stop the motor when cutting is delayed or when walking from one cutting location to another.
- Keep unit clean of vegetation and other materials. They may become lodged in the cutting blades.
- When operating the hedge trimmer, always hold the unit with both hands. Keep a firm grip on both the housing grip and front handle. Never grip the unit by the guard or use the guard as a handle.
- Do not force unit. It will do the job better and with less likelihood of injury at a rate for which it was designed.
- Use only genuine Ryobi replacement parts and accessories for this unit. These are available from your authorized service dealer. Use of any non Ryobi parts or accessories could lead to serious injury to the user, or damage to the unit, and void your warranty.
- This unit is provided with double-insulation. Use only identical replacement parts. See instructions for Servicing of Double-Insulated Units.
- If you strike or become entangled with a foreign object, stop the unit immediately and check for damage. Do not operate before repairing damage. Do not operate the unit with loose or damaged parts.
- Maintain the unit with care. Keep cutting edge sharp and clean for best performance and to reduce the risk of injury. Follow instructions for lubricating and changing accessories. Keep handles dry, clean and free from oil and grease. Always use a clean cloth when cleaning. Never use brake fluid, gasoline, petroleum-based products, or any strong solvents to clean your tool.

RULES FOR SAFE OPERATION

- Check for damaged parts. Before further use of the unit, a guard or other part that is damaged should be carefully checked to determine that it will operate properly and perform its intended function. Check for alignment of moving parts, binding of moving parts, breakage of parts, mounting, and any other condition that may affect the units operation. A guard or other part that is damaged should be properly repaired or replaced by an authorized service dealer unless indicated elsewhere in this manual.
- Never douse or squirt the unit with water or any other liquid. Keep handles dry, clean and free from debris. Clean after each use, see Cleaning and Storage instructions.
- Be sure to secure the unit while transporting.
- Keep these instructions. Refer to them often and use them to instruct other users. If you loan someone this unit, also loan them these instructions.

OTHER SAFETY WARNINGS

- Store the unit inside in a dry place, either locked up or up high to prevent unauthorized use or damage. Keep out of the reach of children.

SAVE THESE INSTRUCTIONS

SAFETY AND INTERNATIONAL SYMBOLS

This operator's manual describes safety and international symbols and pictographs that may appear on this product. Read the operator's manual for complete safety, assembly, operating and maintenance and repair information.

SYMBOL

MEANING



• SAFETY ALERT SYMBOL

Indicates danger, warning, or caution. May be used in conjunction with other symbols or pictographs.



• WARNING - READ OPERATOR'S MANUAL

Read the operator's manual before starting or operating this unit. Failure to follow operating instructions and safety precautions in the operator's manual can result in serious injury to the operator and/or bystanders.



• FOR SERVICE INFORMATION, CALL:

USA: 1-800-345-8746
CANADA: 1-800-265-6778



• WEAR EYE AND HEARING PROTECTION

WARNING: Wear safety glasses or goggles that are marked as meeting ANSI Z87.1 standards, and ear/hearing protection when operating this unit.



• DO NOT USE IN THE RAIN

WARNING: Avoid dangerous environments. Never operate your unit in the rain, or in damp or wet conditions. Moisture is a shock hazard.



• KEEP BYSTANDERS AWAY

WARNING: Keep all bystanders, especially children and pets, at least 50 feet (15 m) from the operating area.



• KEEP HANDS AWAY FROM BLADES

WARNING: Moving blades can cause severe injury. Do not touch the blades when starting or while operating the unit.

RULES FOR SAFE OPERATION

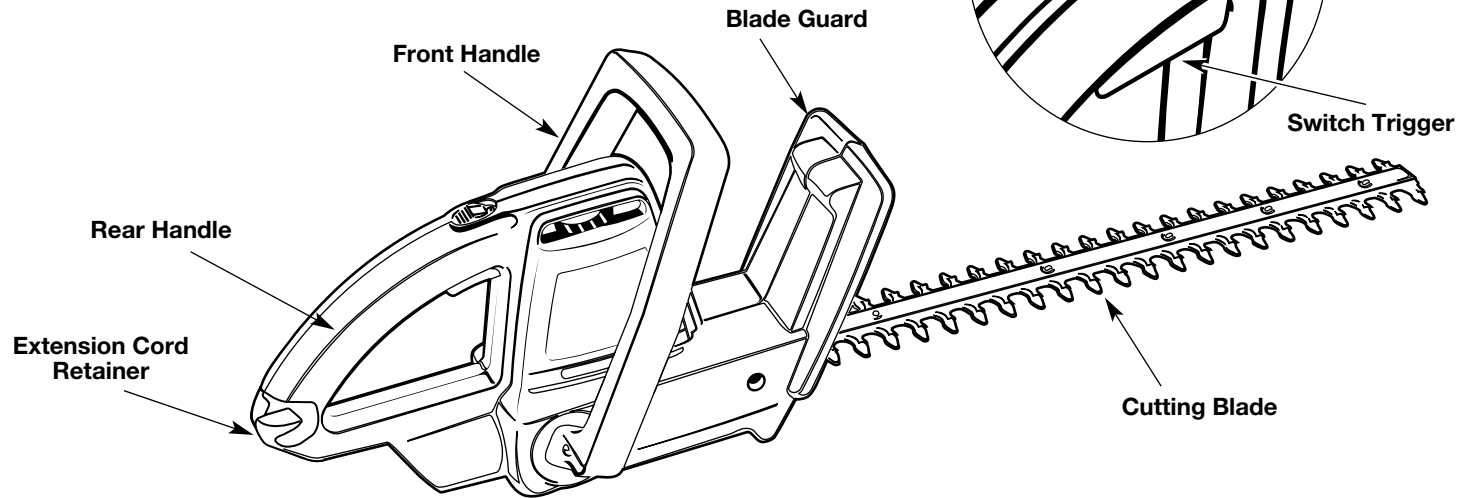
KNOW YOUR UNIT

APPLICATION

This unit is intended for household purpose only.

Use the Hedge Trimmer for;

- Trimming and the forming of hedges, shrubs, and bushes with a branch diameter of up to 3/8 inch.



ASSEMBLY INSTRUCTIONS

INSTALLING FRONT HANDLE

After removing your hedge trimmer from its carton, remove the front handle, screw, and lock nut from the plastic bag. Using a flat blade screwdriver, which is the only tool needed for assembly, install as follows:



WARNING: To prevent serious personal injury, the handle must be installed when operating this unit.

1. Turn the front handle so that the flat surface faces the blade guard of your trimmer.

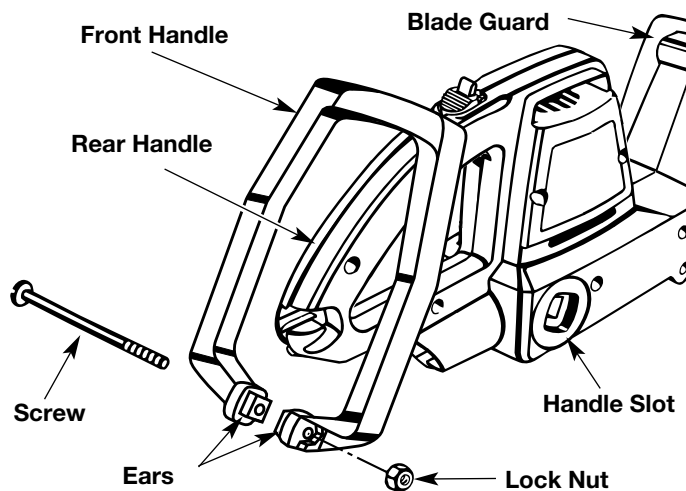


Fig. 1

NOTE: The hollow side of the front handle faces the rear handle when installed properly.

2. Spread the ears of the front handle and fit into the handle slots on the motor housing (Fig. 1).

NOTE: For your convenience and ease of assembly one of the ears on the front handle has been keyed.

3. Place your trimmer on a workbench and place lock nut into molded slot on right side of the front handle.
4. Insert screw from left to right through the front handle and motor housing (Fig. 2).
5. Tighten screw and lock nut securely with a flat blade screwdriver.

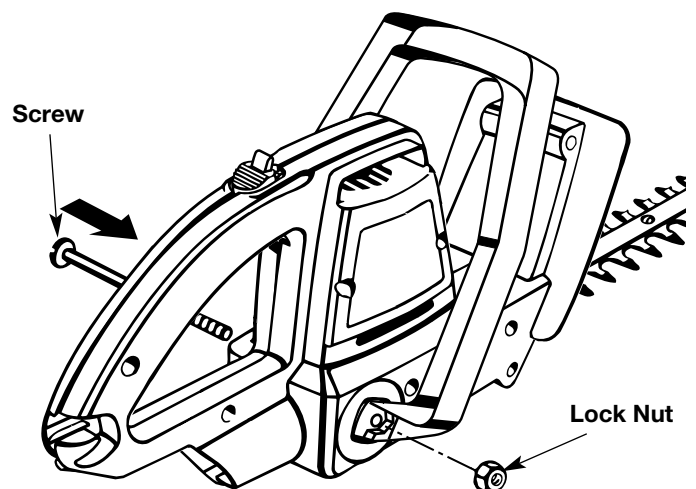


Fig. 2

OPERATING INSTRUCTIONS

TO TURN YOUR HEDGE TRIMMER ON



WARNING: Before connecting your hedge trimmer to power supply source, always check to be sure it is not in lock-on position (depress and release the switch trigger). Failure to do so could result in accidental starting of your trimmer resulting in possible serious injury. Also, do not lock the trigger on jobs where your trimmer may need to be stopped suddenly.

Your hedge trimmer is equipped with a lock-off button, that reduces the possibility of accidental starting.

1. Slide the lock-off button forward (Fig. 3).
2. Depress and hold the switch trigger.
3. Release the lock-off button.

NOTE: The lock-off button is located on top of the handle. The lock resets each time the switch trigger is released.

LOCK-ON FEATURE

Your hedge trimmer is also equipped with a lock-on feature, which is convenient when continuous trimming for extended periods of time is required.

To Lock-On

1. Slide the lock-off button forward (Fig. 4).
2. Depress and hold the switch trigger.
3. Release the lock-off button.
4. Pull lock-on tab back with your thumb and hold.
5. Release switch trigger, then release lock-on tab.

To Release the Lock-On

1. Depress the switch trigger and release it.

If you have the lock-on feature engaged during use and your hedge trimmer becomes disconnected from power supply, disengage the lock-on feature immediately.

EXTENSION CORD RETAINER

An extension cord retainer has been provided to prevent extension cord from becoming disconnected from your trimmer during use. It is molded into the switch handle of your hedge trimmer. Plug extension cord into plug recess below switch handle, then snugly fit cord into retainer as shown in Figure 5.

Extension cord retainer works best with 16 A.W.G. extension cords. When using 14 A.W.G. extension cords the cord may be tight in extension cord retainer. We suggest an alternate method as shown in figure 5 for securing tight extension cords.

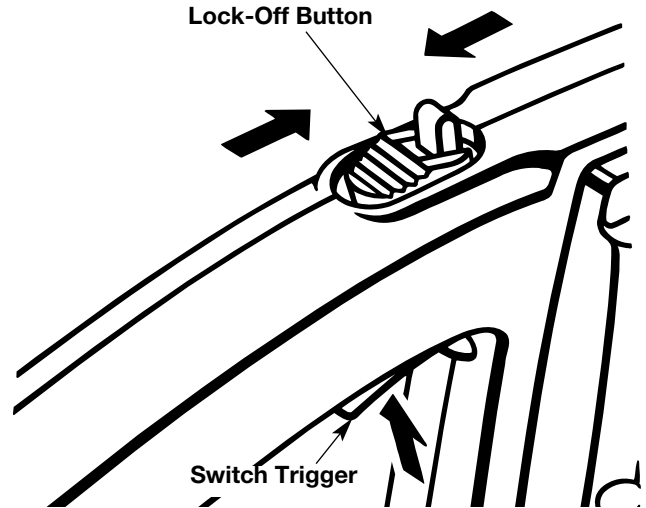


Fig. 3

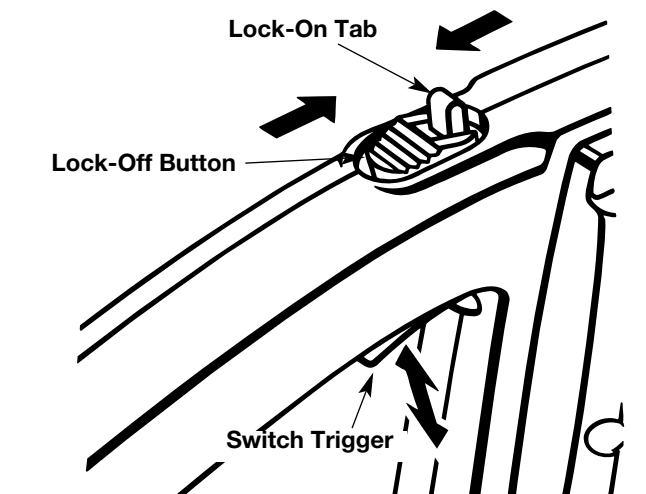


Fig. 4

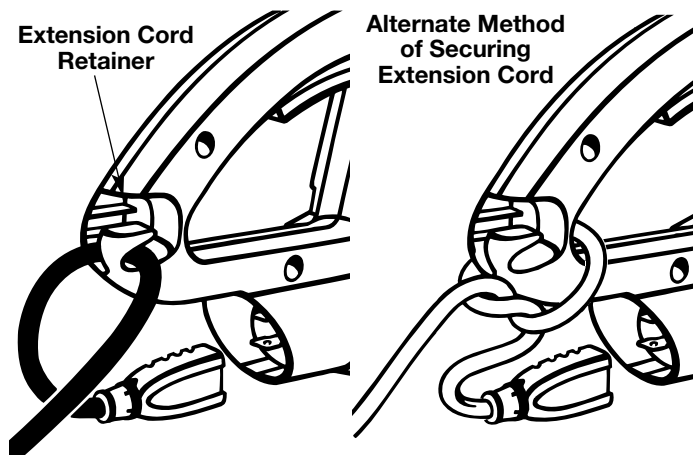


Fig. 5

OPERATING INSTRUCTIONS

USING THE HEDGE TRIMMER



WARNING: If any parts are missing, damaged, or broken do not operate your trimmer until they have been replaced. Failure to do so could result in possible serious personal injury.



WARNING: To prevent serious personal injury, always use both the front handle and rear handle to hold the hedge trimmer during operation.

Use the hedge trimmer for trimming and the forming of hedges, shrubs, and bushes with a branch diameter of up to 3/8 inch.



WARNING: To prevent serious personal injury, keep hands away from blades. Do not attempt to remove cut material or hold material to be cut when blades are moving. Make sure unit is unplugged and the switch is off when clearing jammed material from blades. Do not grasp the exposed cutting blades or cutting edges when picking up or holding the unit.



WARNING: Never use guard as a handle. Never grasp the unit by the guard. Failure to heed this warning can result in serious personal injury.

For your protection there is a blade guard between the front handle and the blade.

1. Cord secured to unit and plugged in.
2. With the blade directed away, hold the unit by the front and rear handle (Fig. 6).
3. Start the unit with the blades away from the hedge to be trimmed.

General Tips:

- Keep from trimming too much at one time. This can cause the blades to bind and slow, reducing the cutting efficiency.
- Do not force the unit through dense growth. If the blades slow down, reduce your pace.

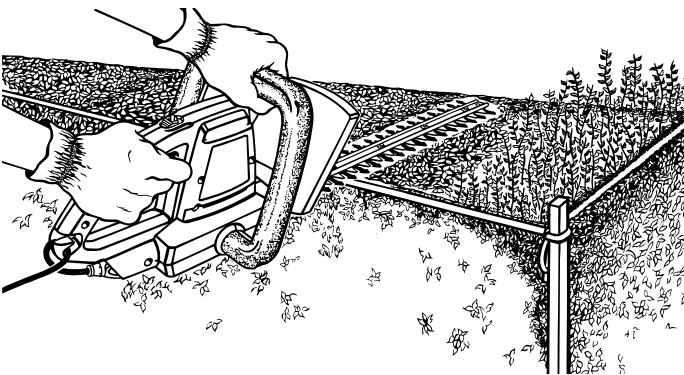


Fig. 6

TO TRIM A HEDGE



WARNING: Clear the area to be cut before each use. Remove all objects such as cords, lights, wire, or string which can become entangled in the cutting blade.

1. Use hedge trimmer properly. Before starting hedge trimmer, hold the unit with both hands and face the cutting blade away from you (Fig. 6).
2. Always keep the cord behind the hedge trimmer when in use. Do not place it over the hedge where it may be cut by the blade.



DANGER: If blade jams on any electrical cord or line, DO NOT TOUCH THE BLADE! IT CAN BECOME ELECTRICALLY LIVE AND VERY DANGEROUS. Continue to hold your trimmer by the insulated handles and immediately disconnect the damaged electrical cord or line from the power source. Failure to heed this Danger will result in serious personal injury and possibly death.

2. If desired, you can use a string to help cut your hedge level. Decide how high you want the hedge. Then, stretch a piece of string along the hedge at this height. Trim the hedge just above this guide line of string. Trim the side of a hedge so that it will be slightly narrower at the top (Fig. 7). More of the hedge will be exposed when shaped this way, and it will be more uniform.
3. Wear gloves when trimming thorny or prickly growth. When trimming new growth, use a wide sweeping action, so that the stems are fed directly into the cutting blade. Older growth will have thicker stems and will be trimmed easiest by using a sawing movement.

Do not try to cut stems that are larger than 3/8 inch thick, or those obviously too large to feed into the cutting blade. Use a non-powered hand saw or pruning saw to trim large stems.

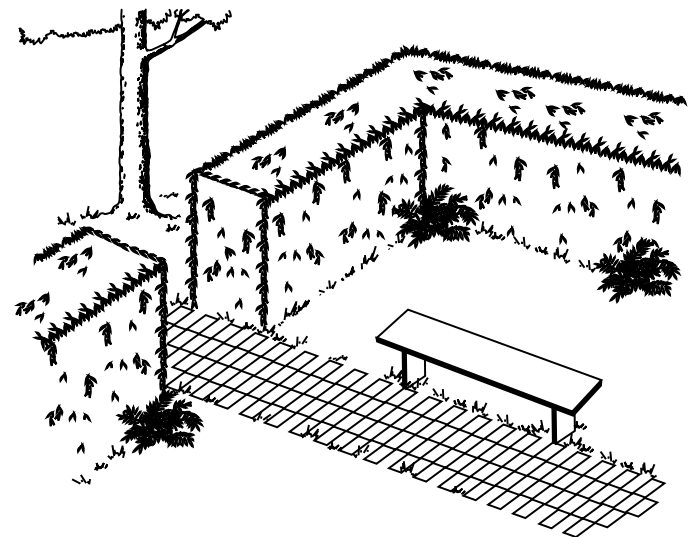


Fig. 7

MAINTENANCE AND REPAIR INSTRUCTIONS



WARNING: When servicing, use only identical Ryobi replacement parts. Use of any other parts may create a hazard or cause product damage.



WARNING: To avoid serious personal injury, be sure the unit is off and unplugged before cleaning or performing any maintenance on it.

GENERAL RECOMMENDATIONS

The warranty on this unit does not cover items that have been subjected to operator abuse or negligence. To receive full value from the warranty, the operator must maintain the unit as instructed in this operator's manual.

BEFORE EACH USE CHECK FOR DAMAGED/WORN PARTS

- Check for damaged parts. Before further use of the unit, a guard or other part that is damaged should be carefully checked to determine that it will operate properly and perform its intended function. Check for alignment of moving parts, binding of moving parts, breakage of parts, mounting, and any other condition that may effect the units operation. A guard or other part that is damaged should be properly repaired or replaced by an authorized service dealer unless indicated elsewhere in this manual.

AFTER EACH USE CLEAN UNIT AND LABELS

- Clean the unit using a damp cloth with a mild detergent.

NOTE: Do not use any strong detergents on the plastic housing or the handle. They can be damaged by certain household cleaners that contain aromatic oils such as pine and lemon, and by solvents such as kerosene.



WARNING: Do not at any time let brake fluids, gasoline, petroleum-based products, penetrating oils, etc. come in contact with plastic parts. They contain chemicals that can damage, weaken, or destroy plastic.

- Wipe off the unit with a clean, dry, soft cloth.
- Keep handles dry, clean and free from oil and grease at all times.

SHARPENING THE CUTTER BLADE



WARNING: During these procedures, you will need to connect the unit to power. To avoid serious personal injury, be sure to disconnect the power when stated.

1. Allow your hedge trimmer to come to a stop with the cutter blade and guard positioned as shown in Figure 8. This will allow clearance for the file between cutter teeth and guard teeth.
2. Disconnect Hedge Trimmer from power supply.

3. Clamp the blade assembly in a vise and file the exposed cutting surface of each blade tooth with an 8 inch fine round file, 1/4 in. or 7/32 in. diameter. Be sure to retain the original angle of tooth when filing.
4. Remove the hedge trimmer from the vise, restart it, and stop it so that the unsharpened edges of the blade teeth are exposed.
5. Disconnect the tool and repeat the sharpening procedure as described above.

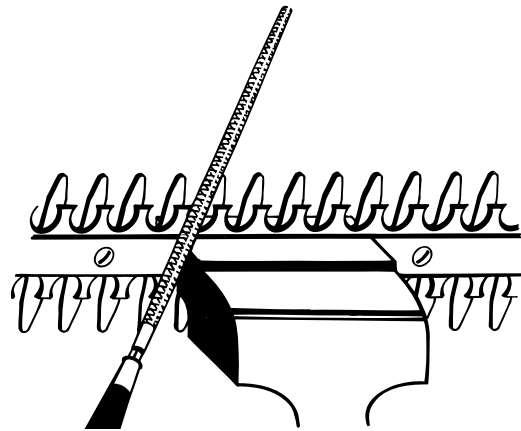


Fig. 8

BLADE LUBRICATION

Disconnect hedge trimmer from power supply.

For easier operation and longer blade life, lubricate the hedge trimmer blade before and after each use. Before lubricating, be sure the switch is in the off position and the tool is disconnected from the power supply. Apply light machine oil along the edge of the top strap as shown in figure 9.



CAUTION: Some spray-on lubricants contain solvents and will cause some types of grease to break-down. To prevent damage to the unit, only use a quality machine oil.

Your trimmer should be stopped, disconnected, and oiled occasionally during use.

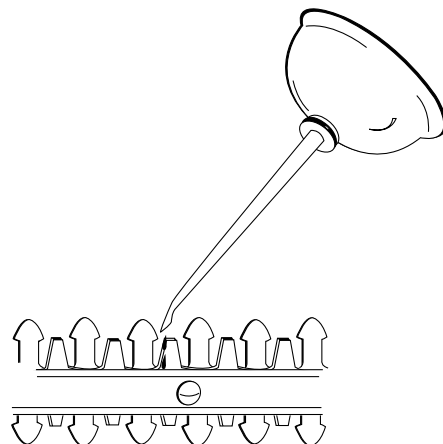


Fig. 9

MAINTENANCE AND REPAIR INSTRUCTIONS

BLADE REPLACEMENT



WARNING: To avoid serious personal injury, be sure the unit is off and unplugged before cleaning or performing any maintenance on it.



WARNING: When servicing, use only identical Ryobi replacement parts. Use of any other parts may create a hazard or cause product damage.



WARNING: To prevent serious personal injury, wear gloves when handling, removing or installing the cutting blades. When handling blade assembly, do not place your hand or fingers between blades or in any position where they could get pinched or cut.

Disconnect hedge trimmer from power supply.

1. Remove blade cover screw (Fig. 10).
2. Remove blade cover: To remove, push blade cover forward and lift from hedge trimmer.
3. Remove blade screws (Fig. 11).

NOTE: A flat blade or # T20 Torx bit screwdriver is required to remove blade screws.

4. Remove grease cover and blade assembly.
5. Make sure drive washer remains installed on drive pin (Fig. 11).

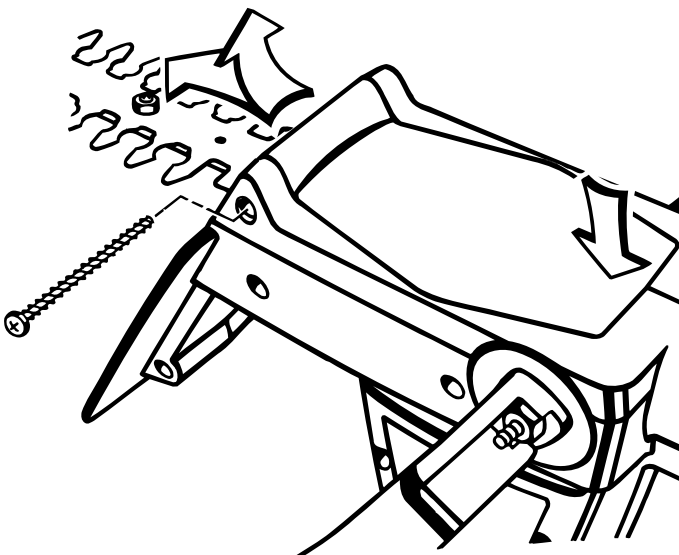


Fig. 10

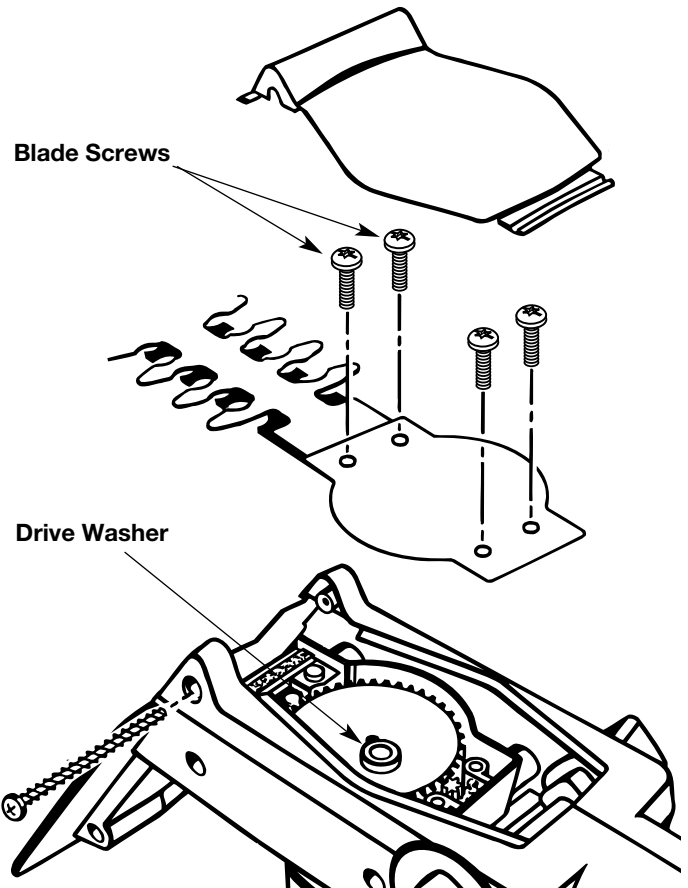


Fig. 11

6. Align slot in new blade assembly and grease cover with drive washer on gear assembly (Fig. 12).
7. After aligning, continue to hold blade assembly in place, then manually slide blade assembly back and forth until screw holes in grease cover align with screw holes in gear housing (Fig. 13).



WARNING: Blades are sharp. When manually sliding blade assembly, do not place your hand or fingers between blades or in any position where they could get pinched or cut.

MAINTENANCE AND REPAIR INSTRUCTIONS

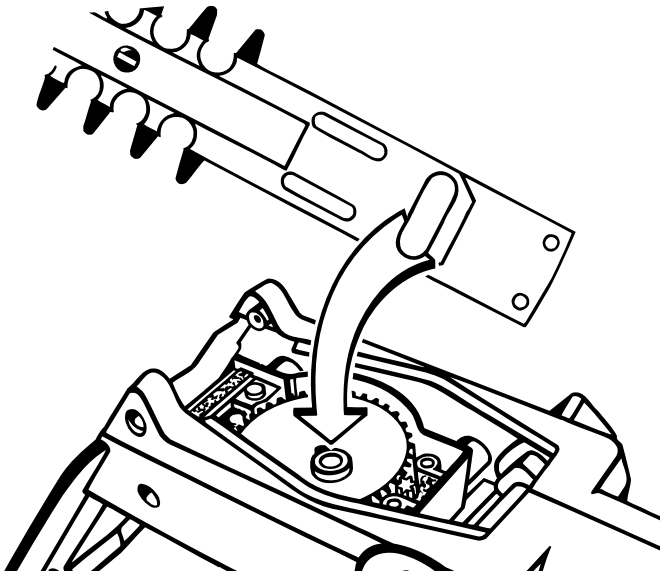


Fig. 12

Blade Cover
Screw

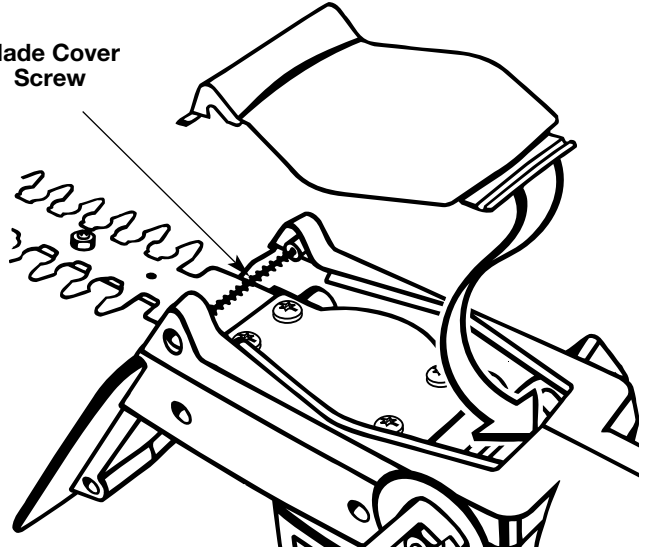


Fig. 14

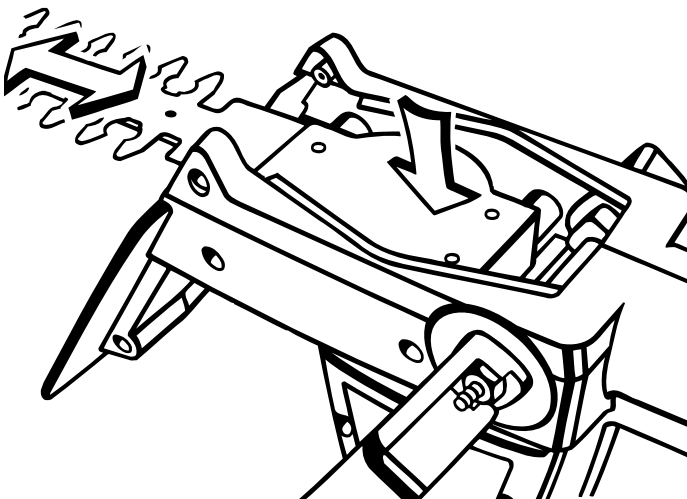


Fig. 13

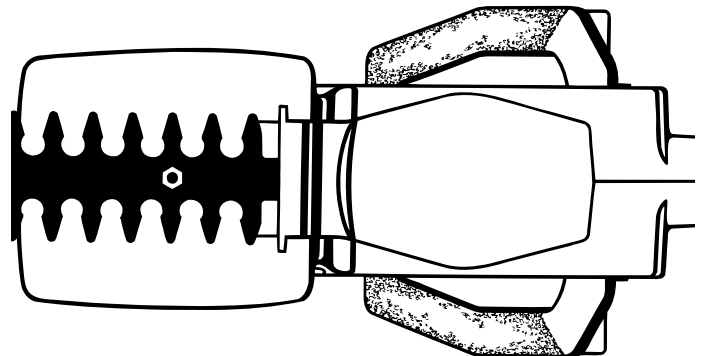
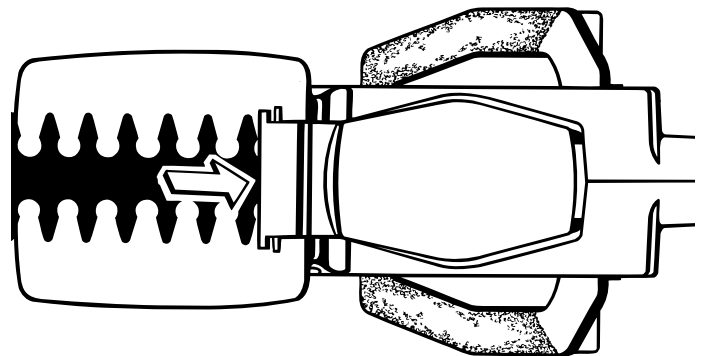


Fig. 15

8. Replace blade screws. Tighten screws securely.
9. Replace blade cover screw (Fig. 14).

NOTE: Do not tighten blade cover screw until blade cover has been replaced.

10. Replace blade cover. Place rear tab inside housing, align front tabs with slots in housing, then slide blade cover back into its correct position (Fig. 15).

11. Tighten blade cover screw securely.



WARNING: Make sure blade cover is replaced before connecting your hedge trimmer to power supply. Failure to do so will expose internal parts which could cause an accident or electrical shock resulting in serious injury.

NOTE: If binding occurs after replacing blade assembly, repeat the steps above for reassembly.

MAINTENANCE AND REPAIR INSTRUCTIONS



WARNING: To avoid serious personal injury, be sure the unit is off and unplugged before cleaning or performing any maintenance on it.

SERVICING OF DOUBLE INSULATED UNITS

This unit is double-insulated. In a double-insulated unit, two systems of insulation are provided instead of grounding. No means of grounding are provided on a double-insulated unit, nor should a means for grounding be added to this unit.

Servicing a double-insulated unit requires extreme care and knowledge of the system, and should be done only by qualified service personnel. Replacement parts for a double-insulated unit must be identical to the parts they replace. Refer any repair to an authorized service dealer. A double-insulated unit is marked with the words “DOUBLE INSULATION” or “DOUBLE INSULATED.”

CLEANING THE UNIT

1. With the switch in the **OFF** position, disconnect the Hedge Trimmer from the power source.
2. Use a small brush or the air discharge of a vacuum cleaner brush to keep the air vents free of obstructions.
3. Do not use strong detergents on the plastic housing or components. These can be damaged by certain household cleaners that contain aromatic oils such as pine and lemon, and by solvents such as kerosene or acetone. Moisture can also cause a shock hazard. Wipe off any moisture with a soft dry cloth.

INSPECT EXTENSION CORDS

Inspect all extension cords periodically. Look closely for deterioration, cuts or cracks in the insulation. Inspect the connectors for damage. Replace cords if defective or damaged.

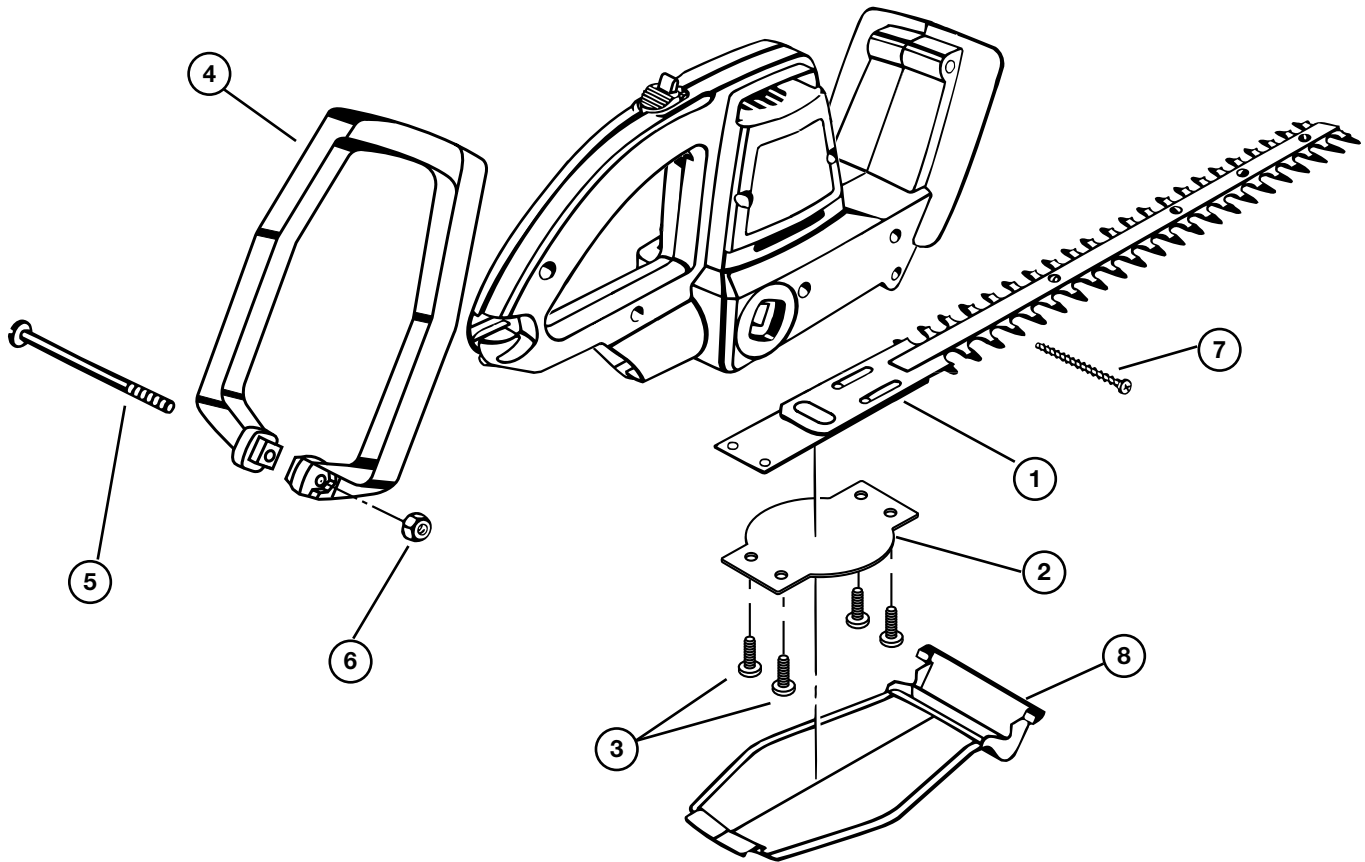
STORAGE

- Store the unit indoors, away from moisture and harmful substances such as fertilizers and solvents.
- Store the unit in a dry, well ventilated area.
- Store the unit inside in a dry place, either locked up or up high to prevent unauthorized use or damage. Keep out of the reach of children.

SPECIFICATIONS

| | |
|-------------------------|---------------------|
| Motor Rating | 120 Volts AC, 60 Hz |
| Motor Amperage | |
| Model HT816r | 2.4 Amps |
| Model HT818r | 2.6 Amps |
| Model HT822r | 2.9 Amps |
| Blade Length | |
| Model HT816r | 16 inches (40.6 cm) |
| Model HT818r | 18 inches (46.0 cm) |
| Model HT822r | 22 inches (56.0 cm) |
| Cutting Action | Single Action |
| Cutting Speed (no load) | up to 3400 SPM |
| Operating Weight | |
| Model HT816r | 5.42 lbs(2.46 kg) |
| Model HT818r | 5.56 lbs(2.52 kg) |
| Model HT822r | 5.96 lbs(2.70 kg) |

REPLACEMENT PARTS



| Item | Part No. | Description |
|------|----------|----------------------------------|
| 1 | 180182 | REPLACEMENT BLADE - Model HT816r |
| 1 | 180183 | REPLACEMENT BLADE - Model HT818r |
| 1 | 180184 | REPLACEMENT BLADE - Model HT822r |
| 2 | 180185 | BLADE PLATE |
| 3 | 180398 | BLADE SCREW |
| 4 | 180049 | FRONT (WRAP-AROUND) HANDLE |
| 5 | 180048 | FRONT HANDLE SCREW |
| 6 | 180050 | LOCK NUT |
| 7 | 181424 | BLADE COVER SCREW |
| 8 | 181422 | BLADE COVER |

LIMITED TWO-YEAR WARRANTY

RYOBI OUTDOOR PRODUCTS warrants each new RYOBI Product for two (2) years according to the following terms.

This warranty extends to the original retail purchaser only and commences on the date of original retail purchase.

Any part of the RYOBI Product manufactured or supplied by RYOBI and found in the reasonable judgement of RYOBI to be defective in material or workmanship will be repaired or replaced by an authorized RYOBI service dealer without charge for parts and labor.

The RYOBI Product including any defective part must be returned to an authorized service dealer within the warranty period. The expense of delivering the RYOBI Product to the dealer for warranty work and the expense of returning it back to the owner after repair or replacement will be paid for by the owner. RYOBI's responsibility in respect to claims is limited to making the required repairs or replacements and no claim of breach of warranty shall be cause for cancellation or rescission of the contract of sale of any RYOBI Product. Proof of purchase will be required by the dealer to substantiate any warranty claim. All warranty work must be performed by an authorized RYOBI service dealer.

This warranty is limited to ninety (90) days from the date of original retail purchase for any RYOBI Product that is used for rental or commercial purposes, or any other income-producing purpose.

This warranty does not cover any RYOBI Product that has been subject to misuse, neglect, negligence, or accident, or that has been operated in any way contrary to the operating instructions as specified in the RYOBI Operator's Manual. This warranty does not apply to any damage to the RYOBI Product that is the result of improper maintenance or to any RYOBI Product that has been altered or modified so as to adversely affect the product's operation, performance or durability or that has been altered or modified so as to change its intended use. The warranty does not extend to repairs made necessary by normal wear or by the use of parts or accessories which are either incompatible with the RYOBI Product or adversely affect its operation, performance or durability.

In addition, this warranty does not cover:

A. Wear items - Blades.

RYOBI reserves the right to change or improve the design of any RYOBI Product without assuming any obligation to modify any product previously manufactured.

ALL IMPLIED WARRANTIES ARE LIMITED IN DURATION TO THE TWO (2) YEAR WARRANTY PERIOD OR NINETY (90) DAYS FOR PRODUCTS USED FOR ANY COMMERCIAL PURPOSE. ACCORDINGLY, ANY SUCH IMPLIED WARRANTIES INCLUDING MERCHANTABILITY, FITNESS FOR A PARTICULAR PURPOSE, OR OTHERWISE, ARE DISCLAIMED IN THEIR ENTIRETY AFTER THE EXPIRATION OF THE APPROPRIATE TWO-YEAR OR NINETY DAY WARRANTY PERIOD. RYOBI'S OBLIGATION UNDER THIS WARRANTY, IS STRICTLY AND EXCLUSIVELY LIMITED TO THE REPAIR OR REPLACEMENT OF DEFECTIVE PARTS, AND ROP DOES NOT ASSUME OR AUTHORIZE ANYONE TO ASSUME FOR THEM ANY OTHER OBLIGATION. SOME STATES DO NOT ALLOW LIMITATIONS ON HOW LONG AN IMPLIED WARRANTY LASTS, SO THE ABOVE LIMITATION MAY NOT APPLY TO YOU.

RYOBI ASSUMES NO RESPONSIBILITY FOR INCIDENTAL, CONSEQUENTIAL OR OTHER DAMAGES INCLUDING, BUT NOT LIMITED TO EXPENSE OF RETURNING THE RYOBI PRODUCT TO AN AUTHORIZED SERVICE DEALER AND EXPENSE OF DELIVERING IT BACK TO THE OWNER, MECHANIC'S TRAVEL TIME, TELEPHONE OR TELEGRAM CHARGES, RENTAL OF A LIKE PRODUCT DURING THE TIME WARRANTY SERVICE IS BEING PERFORMED, TRAVEL, LOSS OR DAMAGE TO PERSONAL PROPERTY, LOSS OF REVENUE, LOSS OF USE OF THE PRODUCT, LOSS OF TIME, OR INCONVENIENCE. SOME STATES DO NOT ALLOW THE EXCLUSION OR LIMITATION OF INCIDENTAL OR CONSEQUENTIAL DAMAGES, SO THE ABOVE LIMITATION OR EXCLUSION MAY NOT APPLY TO YOU.

This warranty gives you specific legal rights, and you may also have other rights which vary from state to state.

This warranty applies to all RYOBI Products manufactured by RYOBI and sold in the United States and Canada.

To locate your nearest service dealer dial 1-800-345-8746 in the United States or 1-800-265-6778 in Canada.

RYOBI®

RYOBI OUTDOOR PRODUCTS

550 N. 54th Street
Chandler, AZ 85226 U.S.A.

RYOBI CANADA INC.

275 Industrial Rd
Cambridge, Ontario N1R 6K2 CANADA

SAVE THESE INSTRUCTIONS FOR FUTURE REFERENCE.

FOR QUESTIONS CALL 1-800-345-8746 IN U.S.

OR 1-800-265-6778 IN CANADA